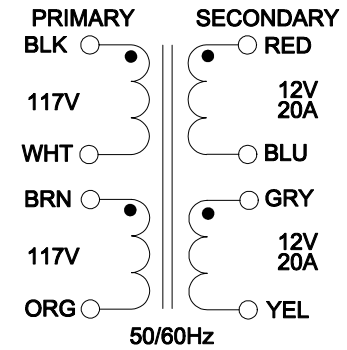
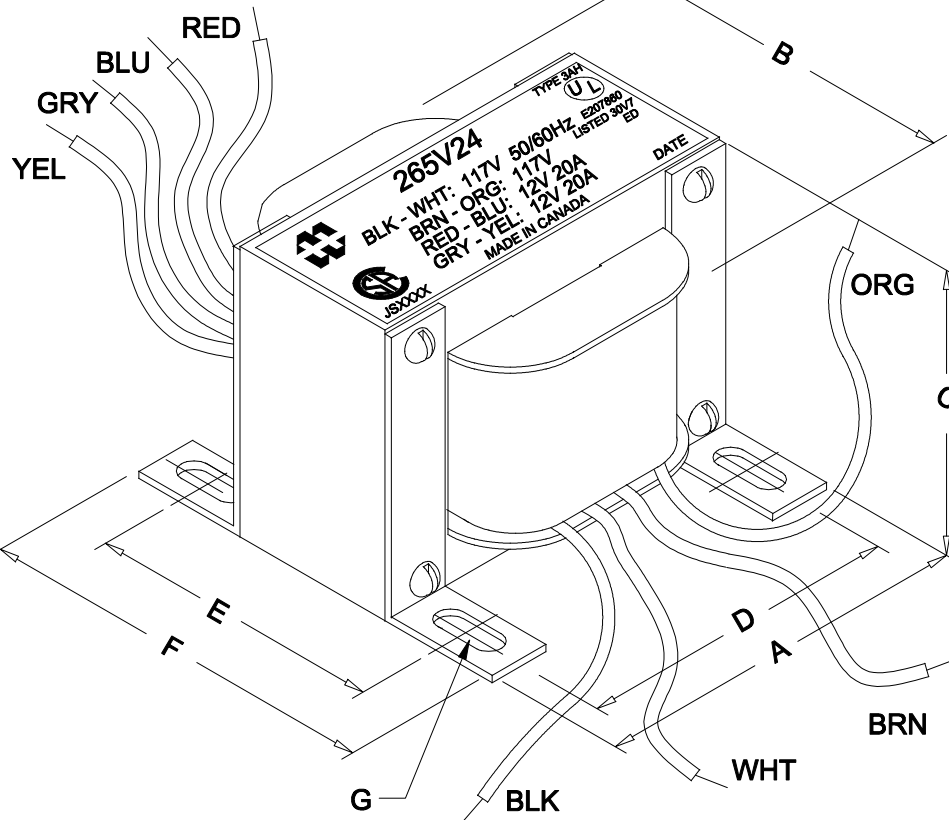


DIMENSIONS:

A	4.500" ±0.063
B	5.150" ±0.125
C	3.750" ±0.063
D	3.750" ±0.063
E	4.000" ±0.063
F	4.562" ±0.063
G	0.203" X 0.375" ±0.015



FOR 234V:
CONNECT WHT & BRN

FOR 117V:
CONNECT ORG & WHT,
BRN & BLK

FOR SER. 24V @ 20A
CONNECT GRY & BLU

FOR PAR. 12V @ 40A
CONNECT YEL & BLU,
RED & GRY

NOTE: ALL LEADS 9.0" LONG MIN.

ELECTRICAL DATA:		
TESTS	CONDITIONS	ACCEPTANCE CRITERIA
I _{ex}	@ 117V, 60Hz, BLK - WHT	420mA Max.
Sec. N.L.V	@ 117V, 60Hz, BLK - WHT	
	BRN - ORG =	117.0V ±2%
	RED - BLU =	12.45V ±2%
	GRY - YEL =	12.45V ±2%
DCR	@ 20°C, WHT - BLK =	0.750 Ω ±20%
	@ 20°C, BRN - ORG =	0.809 Ω ±20%
	@ 20°C, RED - BLU =	0.009 Ω ±20%
	@ 20°C, GRY - YEL =	0.010 Ω ±20%
HIPOT	PRIMARY - SECONDARY	2000V, 60Hz, 1 SEC

REV.#	REVISION	DATE	HAMMOND ELECTRONIC DIVISION	
0	RELEASED. C.I.	12/30/13	52 RANKIN PLACE, WATERLOO, ONTARIO, N2J 3Z5	
			PH # (519) 886-6181	
			FAX # (519) 886-9540	
			DWG. BY: C. ILIE	CHK'D BY:
			DATE: 12/30/13	APP'D. BY:
			DATE: 12/30/13	DIMENSIONS: IN(X) MM()
			TITLE: POWER TRANSFORMER	DWG. NO. 265V/24